



Midea R454B MRD M134AG Series Packaged Rooftop

MRD Series

Cooling capacity: 24-60 kBtu/h



Contents:


1 PRODUCT LINEUP.....	2
2 NOMENCLATURE.....	2
3 SPECIFICATIONS.....	3
4 DIMENSIONAL DRAWING.....	5
5 AIRFLOW DATA.....	7
6 WIRING DIAGRAMS.....	9



Standard Features:

- Quiet horizontal discharge.
- Compatible with side and bottom air discharge
- Power-painted galvanized steel cabinet.
- High-efficiency compressors operate smoothly, quietly, and consistently.
- Internal safeguards protect the compressor against high and low pressure, and coil temperature.
- Aluminum tube/aluminum fin coil.
- High-efficiency ECM blower motor.
- AHRI Certified and ETL listed.
- Compliant with UL-60335 certification.
- Uses more environmentally friendly R454B refrigerant.
- Microchannel condenser, higher heat exchange efficiency with less flammable refrigerant charge, safer.
- Full DC variable speed condenser motor, more efficient, smarter, and quieter.

1 Product lineup

Model	MRD-24S060GWN10-M134G MRD-30S060GWN10-M134G MRD-36S090GWN10-M134G MRD-42S090GWN10-M134G	MRD-48S090GWN10-M134L MRD-60S090GWN10-M134L MRD-60S110GWN10-M134L
Power supply	208/230V-1Ph-60Hz	
Appearance		

2 Nomenclature

M	R	D	24	S	060	G	W	N10	M	134	G
1	2	3	4	5	6	7	8	9	10	11	12

Legend		
No.	Code	Remarks
1	M	Brand: Midea
2	R	Rooftop/Package Unit
3	D	D-Double Deck
4	24	Capacity: 24: 24kBtu/h; 30: 30kBtu/h; 36: 36kBtu/h; 42: 42kBtu/h; 48: 48kBtu/h; 60: 60kBtu/h;
5	S	S-Single Stage/ Multi-speed
6	060	060 – 60kBtu/h gas heating capacity; 090 – 90kBtu/h gas heating capacity 110 – 110kBtu/h gas heating capacity
7	G	G-Gas Package
8	W	W-Wired Controller
9	N10	Refrigerant type: N10: R454B Design series number
10	M	208/230V~60Hz
11	134	SEER2: 13.4
12	G	G-GMCC Compressor; L-LG Compressor

3 Specifications

	MRD-24S060GWN10-M134G	MRD-30S060GWN10-M134G	MRD-36S090GWN10-M134G	MRD-42S090GWN10-M134G	
NOMINAL CAPACITY					
Cooling (BTU/h)	22,800	28,400	34,000	40,000	
GAS HEATING PERFORMANCE					
Heating input (Bth/h)	60,000	60,000	90,000	90,000	
Heating output (Bth/h)	48,000	48,000	72,000	72,000	
No. burners	5	5	7	6	
Gas connection pipe size (in)	1/2 NPT	1/2 NPT	1/2 NPT	1/2 NPT	
ELECTRICAL DATA					
Voltage / Phase (60 Hz)	208/230V-1Ph	208/230V-1Ph	208/230V-1Ph	208/230V-1Ph	
Min. / Max. Voltage (V)	187/253	187/253	187/253	187/253	
Min. Circuit Amps (MCA) (A)	18.8	21.5	25.2	29.9	
Max. Overcurrent Protection (MOP) (A)	25	30	40	45	
COMPRESSOR					
Type	Rotary	Rotary	Rotary	Rotary	
Stage	Single	Single	Single	Single	
Rated Load Amps (RLA) (A)	11	13	16	19	
Locked Rotor Amps (LRA) (A)	55	58	72	86	
OUTDOOR COIL					
Type	Microchannel	Microchannel	Microchannel	Microchannel	
Tube outside dia. (mm)	16	16	16	16	
OUTDOOR FAN MOTOR					
Motor Type	PSC	PSC	PSC	PSC	
Capacitor (uF)	6	6	6	15	
Horsepower (HP)	1/12	1/6	1/6	1/3	
Full Load Amps (FLA) (A)	0.8	1.0	1.0	1.9	
Rated Airflow (CFM)	2,144	2,909	2,909	5,223	
INDOOR COIL					
Type	Tube & Fin	Tube & Fin	Tube & Fin	Tube & Fin	
Tube outside dia. (mm)	7	7	7	7	
INDOOR BLOWER MOTOR					
Motor Type	ECM	ECM	ECM	ECM	
Capacitor (uF)	/	/	/	/	
Horsepower (HP)	1/2	1/2	1/2	1/2	
Full Load Amps (FLA) (A)	4.2	4.2	4.2	4.2	
Rated Airflow (CFM at 0.58 in H ₂ O)	800	930	1050	1400	
REFRIGERATION SYSTEM					
Refrigerant Control	Piston	Piston	Piston	Piston	
Refrigerant Charge (lbs. - oz.)	2 lbs. 10 oz.	2 lbs. 12 oz.	2 lbs. 14 oz.	3 lbs. 12 oz.	
SOUND POWER (dB(A))	79	79	79	80	
OPERATION RANGE					
Cooling (°C)	18~48	18~48	18~48	18~48	
Cooling (°F)	64.4~118.4	64.4~118.4	64.4~118.4	64.4~118.4	
Dimension & Weight					
Unpacking (W*H*D)	mm	1287 x 890 x 1180	1287 x 890 x 1180	1287 x 890 x 1180	1310 x 1140 x 1265
	inch	50-11/16 x 35-1/16 x 46-7/16	50-11/16 x 35-1/16 x 46-7/16	50-11/16 x 35-1/16 x 46-7/16	51-9/16 x 44-13/16 x 49-3/4
Packing (W*H*D)	mm	1335 x 940 x 1235	1335 x 940 x 1235	1335 x 940 x 1235	1325 x 1150 x 1330
	inch	51-28/64 x 37 x 48-5/8	51-28/64 x 37 x 48-5/8	51-28/64 x 37 x 48-5/8	52-1/8 x 45-1/4 x 52-3/8
Net/Gross weight	kg	191/201	196/208	202/212	244/254
	lb	422/443	432/458	444/467	539/559
Shipping per STD 40HQ		40	40	40	33

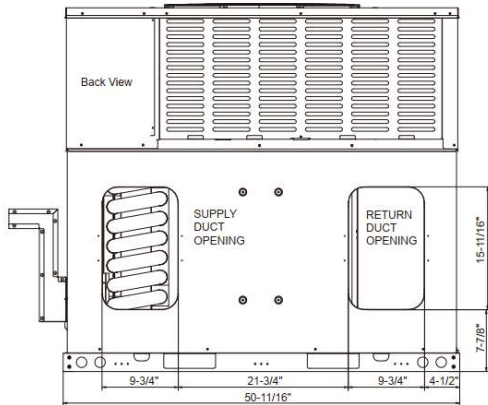
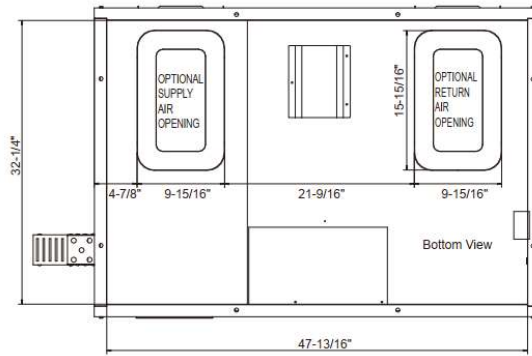
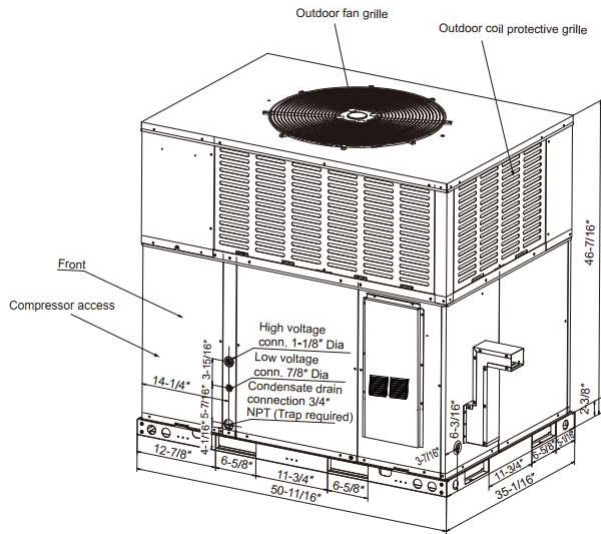
MRD M134AG Series Rooftop Package



	MRD-48S090GWN10-M134L	MRD-60S090GWN10-M134L	MRD-60S110GWN10-M134L	
NOMINAL CAPACITY Cooling (BTU/h)	47,000	57,000	57,000	
GAS HEATING PERFORMANCE Heating input (Bth/h) Heating output (Bth/h) No. burners Gas connection pipe size (in)	90,000 72,000 6 1/2 NPT	90,000 72,000 6 1/2 NPT	110,000 88,000 7 1/2 NPT	
ELECTRICAL DATA Voltage / Phase (60 Hz) Min. / Max. Voltage (V) Min. Circuit Amps (MCA) (A) Max. Overcurrent Protection (MOP) (A)	208/230V-1Ph 187/253 36.4 50	208/230V-1Ph 187/253 41.4 60	208/230V-1Ph 187/253 41.4 60	
COMPRESSOR Type Stage Rated Load Amps (RLA) (A) Locked Rotor Amps (LRA) (A)	Scroll Single 23 98	Scroll Single 27 125	Scroll Single 27 125	
OUTDOOR COIL Type Coil Width. (mm)	Microchannel 16	Microchannel 16	Microchannel 16	
OUTDOOR FAN MOTOR Motor Type Capacitor (uF) Horsepower (HP) Full Load Amps (FLA) (A) Rated Airflow (CFM)	PSC 15 1/3 1.9 5,223	PSC 15 1/3 1.9 5,223	PSC 15 1/3 1.9 5,223	
INDOOR COIL Type Tube outside dia. (mm)	Tube & Fin 7	Tube & Fin 7	Tube & Fin 7	
INDOOR BLOWER MOTOR Motor Type Capacitor (uF) Horsepower (HP) Full Load Amps (FLA) (A) Rated Airflow (CFM at 0.58 in H ₂ O)	ECM / 3/4 5.7 1700	ECM / 3/4 5.7 1800	ECM / 3/4 5.7 1800	
REFRIGERATION SYSTEM Refrigerant Control Refrigerant Charge (lbs. - oz.)	Piston 3 lbs. 12 oz.	Piston 3 lbs. 12 oz.	Piston 3 lbs. 12 oz.	
SOUND POWER (dB(A))	80	80	80	
OPERATION RANGE Cooling (°C) Cooling (°F)	18~48 64.4~118.4	18~48 64.4~118.4	18~48 64.4~118.4	
Dimension & Weight				
Unpacking (W*H*D)	mm	1310 x 1140 x 1265	1310 x 1140 x 1265	1310 x 1140 x 1265
	inch	51-9/16 x 44-13/16 x 49-3/4	51-9/16 x 44-13/16 x 49-3/4	51-9/16 x 44-13/16 x 49-3/4
Packing (W*H*D)	mm	1325 x 1150 x 1330	1325 x 1150 x 1330	1325 x 1150 x 1330
	inch	52-1/8 x 45-1/4 x 52-3/8	52-1/8 x 45-1/4 x 52-3/8	52-1/8 x 45-1/4 x 52-3/8
Net/Gross weight	kg	254/264	253/263	255/265
	lb	560/581	557/580	562/584
Shipping per STD 40HQ		33	33	33

4 Dimensional Drawing

24S060/30S060/36S090

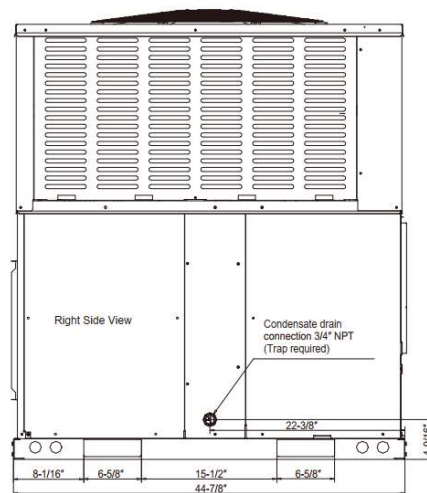
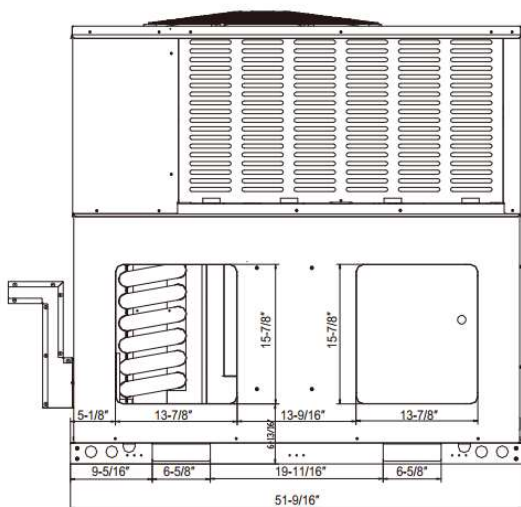
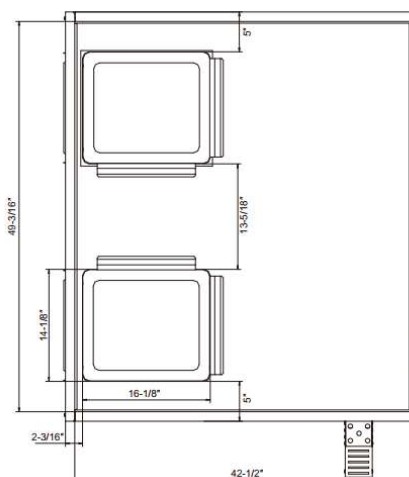
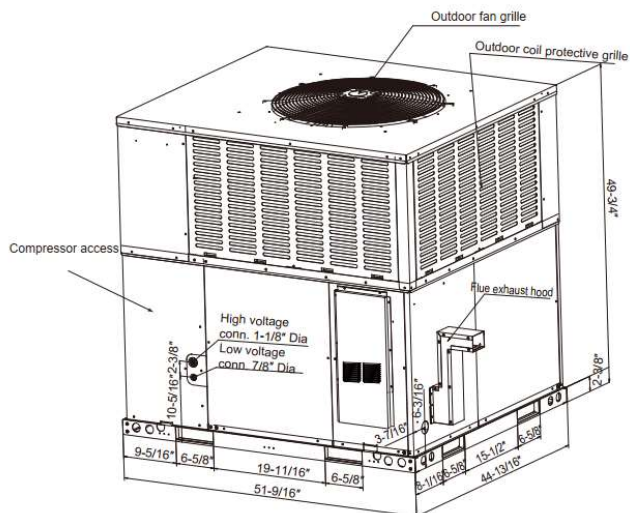


Model	Unit Width "W" in. [mm]	Unit Height "H" in. [mm]	Unit Length "D" in. [mm]	Net Weight kg [lb]	Gross Weight kg [lb]
24S060	50-11/16 [1287]	35-1/16 [890]	46-7/16 [1180]	191 [422]	201 [443]
30S060	50-11/16 [1287]	35-1/16 [890]	46-7/16 [1180]	196 [432]	208 [458]
36S090	50-11/16 [1287]	35-1/16 [890]	46-7/16 [1180]	202 [444]	212 [467]

MRD M134AG Series Rooftop Package



42S090/48S090/60S090/60S110



Model	Unit Width "W" in. [mm]	Unit Height "H" in. [mm]	Unit Length "D" in. [mm]	Net Weight kg [lb]	Gross Weight kg [lb]
42S090	51-9/16 [1310]	44-13/16 [1140]	49-3/4 [1265]	244 [539]	254 [559]
48S090	51-9/16 [1310]	44-13/16 [1140]	49-3/4 [1265]	254 [560]	264 [581]
60S090	51-9/16 [1310]	44-13/16 [1140]	49-3/4 [1265]	253 [557]	263 [580]
60S110	51-9/16 [1310]	44-13/16 [1140]	49-3/4 [1265]	255 [562]	265 [584]

5 Airflow Data

Duct Application(230V)

Model Number	Motor Speed		External Static Pressure in H ₂ O [kPa]										
			0[0]	0.1[.02]	0.2[.05]	0.3[.07]	0.4[.10]	0.5[.12]	0.6[.15]	0.7[.17]	0.8[.20]	0.9[.23]	1.0[.25]
24	Low (Tap1)	SCFM	/	859	785	694	625	/	/	/	/	/	/
		Current/A	/	1.24	1.27	1.32	1.35	/	/	/	/	/	/
		Power/W	/	134	138	144	149	/	/	/	/	/	/
	Middle-1 (Tap2)	SCFM	/	/	/	/	887	806	753	695	646	/	/
		Current/A	/	/	/	/	2.02	2.07	2.12	2.13	2.17	/	/
		Power/W	/	/	/	/	234	241	246	244	249	/	/
	Middle-2 (Tap3)	SCFM	/	/	/	/	/	/	/	869	816	769	723
		Current/A	/	/	/	/	/	/	/	2.80	2.84	2.88	2.92
		Power/W	/	/	/	/	/	/	/	335	341	346	351
	Middle-3 (Tap4)	SCFM	/	/	/	/	/	/	/	/	/	882	836
		Current/A	/	/	/	/	/	/	/	/	/	3.38	3.43
		Power/W	/	/	/	/	/	/	/	/	/	412	418
	High (Tap5)	SCFM	/	/	/	/	/	/	/	/	/	/	884.6
		Current/A	/	/	/	/	/	/	/	/	/	/	3.67
		Power/W	/	/	/	/	/	/	/	/	/	/	445
30	Low (Tap1)	SCFM	927	859	785	/	/	/	/	/	/	/	/
		Current/A	1.20	1.24	1.27	/	/	/	/	/	/	/	/
		Power/W	129	134	138	/	/	/	/	/	/	/	/
	Middle-1 (Tap2)	SCFM	/	1066	1001	945	887	806	753	/	/	/	/
		Current/A	/	1.90	1.94	1.98	2.02	2.07	2.12	/	/	/	/
		Power/W	/	218	224	228	234	241	246	/	/	/	/
	Middle-2 (Tap3)	SCFM	/	/	/	1105	1051	998	925	869	816	769	/
		Current/A	/	/	/	2.61	2.65	2.70	2.75	2.80	2.84	2.88	/
		Power/W	/	/	/	310	316	322	329	335	341	346	/
	Middle-3 (Tap4)	SCFM	/	/	/	/	/	1109	1056	986	933	882	836
		Current/A	/	/	/	/	/	3.19	3.23	3.29	3.34	3.38	3.43
		Power/W	/	/	/	/	/	387	393	400	407	412	418
	High (Tap5)	SCFM	/	/	/	/	/	/	/	1064	990	934	885
		Current/A	/	/	/	/	/	/	/	3.63	3.67	3.65	3.67
		Power/W	/	/	/	/	/	/	/	444	455	443	445
36	Low (Tap1)	SCFM	927	/	/	/	/	/	/	/	/	/	/
		Current/A	1.2	/	/	/	/	/	/	/	/	/	/
		Power/W	129	/	/	/	/	/	/	/	/	/	/
	Middle-1 (Tap2)	SCFM	1127	1066	1001	945	/	/	/	/	/	/	/
		Current/A	1.87	1.90	1.94	1.98	/	/	/	/	/	/	/
		Power/W	213	218	224	228	/	/	/	/	/	/	/
	Middle-2 (Tap3)	SCFM	1265	1217	1162	1105	1051	998	925	/	/	/	/
		Current/A	2.47	2.52	2.57	2.61	2.65	2.70	2.75	/	/	/	/
		Power/W	292	299	305	310	316	322	329	/	/	/	/
	Middle-3 (Tap4)	SCFM	/	1314	1263	1213	1159	1109	1056	986	933	/	/
		Current/A	/	3.01	3.06	3.10	3.14	3.19	3.23	3.29	3.34	/	/
		Power/W	/	363	369	375	381	387	393	400	407	/	/
	High (Tap5)	SCFM	/	1347	1305	1283	1256	1196	1144	1064	990	934	/
		Current/A	/	3.68	3.67	3.66	3.66	3.66	3.66	3.63	3.67	3.65	/
		Power/W	/	452	451	450	449	448	449	444	455	443	/

MRD M134AG Series Rooftop Package



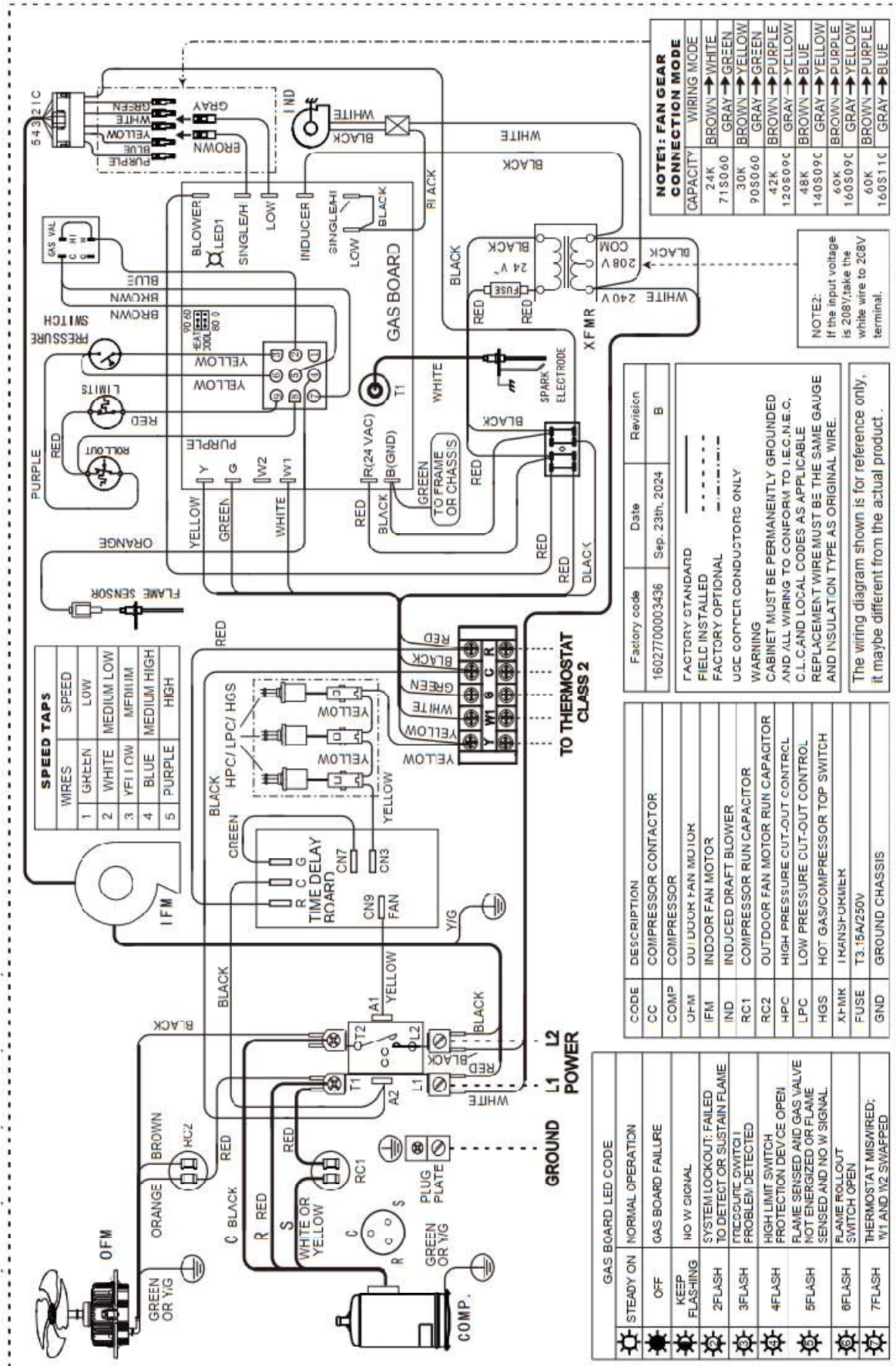
Continued

Model Number	Motor Speed		External Static Pressure in H ₂ O [kPa]										
			0[0]	0.1[.02]	0.2[.05]	0.3[.07]	0.4[.10]	0.5[.12]	0.6[.15]	0.7[.17]	0.8[.20]	0.9[.23]	1.0[.25]
42	Middle-1 (Tap2)	SCFM	1328	1242	1166	1090.8	/	/	/	/	/	/	/
		Current/A	1.35	1.42	1.49	1.56	/	/	/	/	/	/	/
		Power/W	153	161	169	178	/	/	/	/	/	/	/
	Middle-2 (Tap3)	SCFM	1450	1372	1300	1232	1160	1088	/	/	/	/	/
		Current/A	1.70	1.77	1.84	1.91	2.00	2.08	/	/	/	/	/
		Power/W	195	205	214	223	234	244	/	/	/	/	/
	Middle-3 (Tap4)	SCFM	1581	1515	1448	1384	1318	1252	1189	1122	/	/	/
		Current/A	2.15	2.23	2.31	2.38	2.47	2.55	2.65	2.74	/	/	/
		Power/W	254	265	274	284	295	307	319	331	/	/	/
	High (Tap5)	SCFM	/	1569	1503	1439	1377	1314	1252	1184	1115	/	/
		Current/A	/	2.42	2.50	2.57	2.66	2.75	2.84	2.94	3.03	/	/
		Power/W	/	288	299	309	320	332	344	356	369	/	/
48	Middle-1 (Tap2)	SCFM	1437	1359	1284	1210	/	/	/	/	/	/	/
		Current/A	1.80	1.88	1.96	2.04	/	/	/	/	/	/	/
		Power/W	202	212	223	233	/	/	/	/	/	/	/
	Middle-2 (Tap3)	SCFM	/	1791	1728	1662	1602	1539	1475	1419	1364	1309	1252
		Current/A	/	3.44	3.52	3.61	3.69	3.78	3.87	3.96	4.05	4.15	4.25
		Power/W	/	415	426	438	449	461	472	485	497	510	523
	Middle-3 (Tap4)	SCFM	/	/	/	/	/	1748	1691	1632	1575	1526	1474
		Current/A	/	/	/	/	/	4.74	4.84	4.93	5.03	5.12	5.23
		Power/W	/	/	/	/	/	590	603	616	629	642	655
	High (Tap5)	SCFM	/	/	/	/	/	/	1787	1712	1660	1594	1536
		Current/A	/	/	/	/	/	/	5.45	5.43	5.45	5.45	5.48
		Power/W	/	/	/	/	/	/	696	694	688	690	696
60	Middle-2 (Tap3)	SCFM	1854	1791	1728	1662	1602	1539	/	/	/	/	/
		Current/A	3.36	3.44	3.52	3.61	3.69	3.78	/	/	/	/	/
		Power/W	405	415	426	438	449	461	/	/	/	/	/
	Middle-3 (Tap4)	SCFM	2026	1973	1918	1860	1802	1748	1691	1632	1575	1526	/
		Current/A	4.26	4.36	4.46	4.56	4.65	4.74	4.84	4.93	5.03	5.12	/
		Power/W	525	538	551	565	578	590	603	616	629	642	/
	High (Tap5)	SCFM	2150	2098	2044	1989	1932	1861	1787	1712	1660	1594	1536
		Current/A	5.07	5.18	5.27	5.37	5.47	5.47	5.45	5.43	5.45	5.45	5.48
		Power/W	640	658	671	685	699	699	696	694	688	690	696

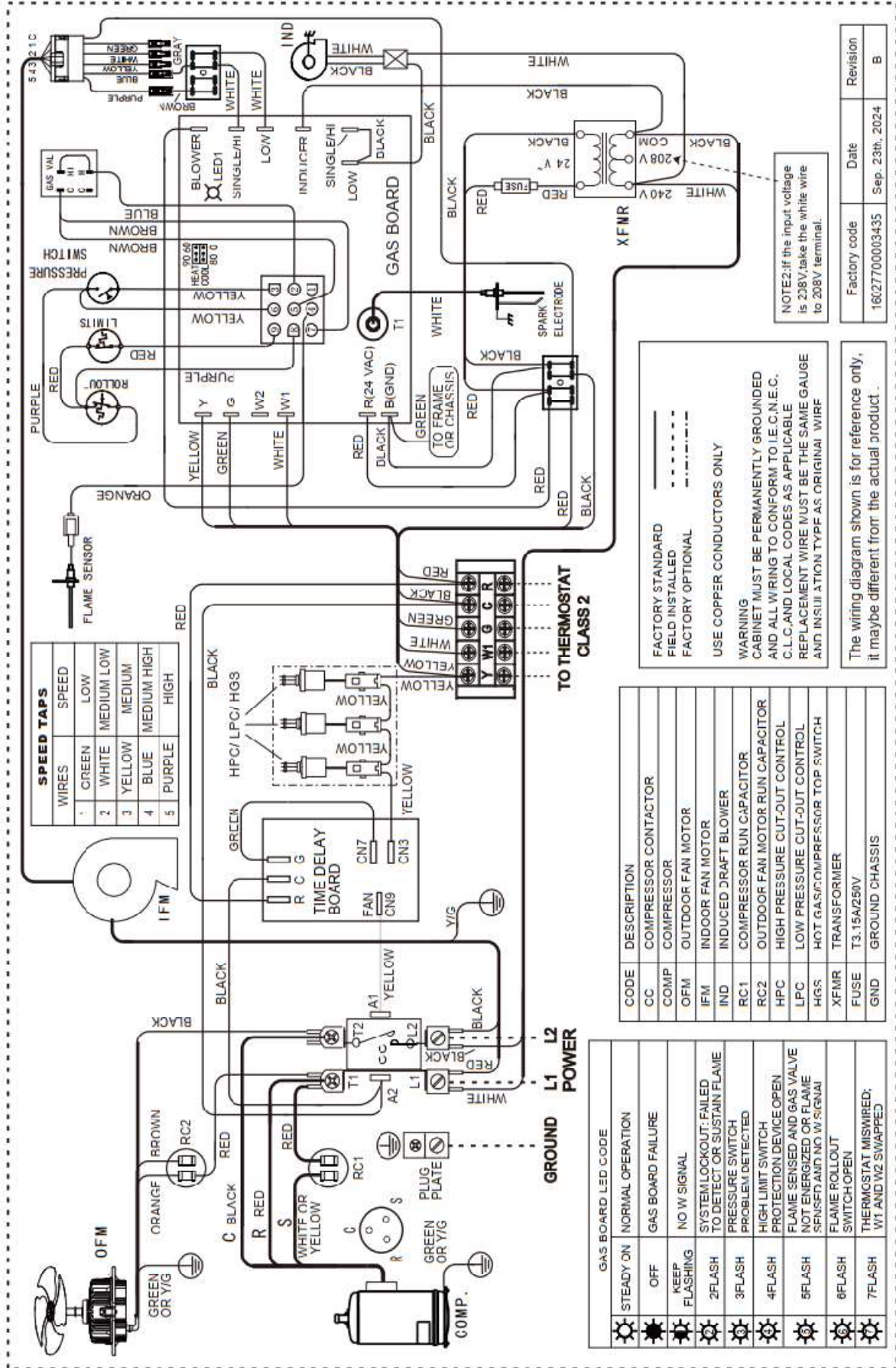
- The above airflow data for reference only.
- The airflow rate in the airflow table is 300-450 CFM/ton.

6 Wiring Diagram

24/30/42/48/60K



36K



Midea Building Technologies Division Midea Group



Add.: Midea Headquarters Building, 6 Midea Avenue, Shunde, Foshan, Guangdong, China

Postal code: 528311

mbt.midea.com/global www.midea-group.com ics.midea.com



Midea reserves the right to change the specifications of the product, and to withdraw or replace products without prior notification or public announcement. Midea is constantly developing and improving its products.