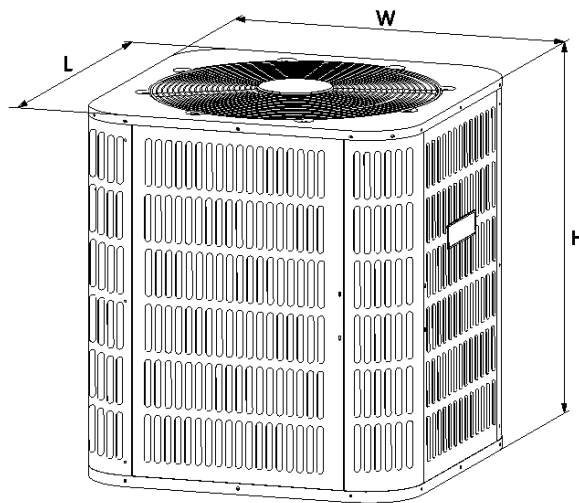


Condensing Unit

M152A Series Air Conditioner

Up to 15.2 SEER2

Cooling capacity: 18-60 kBTU/h



Model Size	Unit Width "W" in. [mm]	Unit Height "H" in. [mm]	Unit Length "L" in. [mm]	Packing (W*H*D) in. [mm]	Unit Weight (lbs.[kg])
18	23-5/8 [600]	24-15/16 [633]	23-5/8 [600]	24-7/10 × 26-1/4 × 24-7/10 [628 × 667 × 628]	117 [53]
24	28 [710]	24-15/16 [633]	28 [710]	29 × 26-1/4 × 29 [738 × 667 × 738]	132 [60]
30	28 [710]	33-3/16 [843]	28 [710]	29 × 34-1/2 × 29 [738 × 877 × 738]	161 [73]
36	29-1/8 [740]	24-15/16 [633]	29-1/8 [740]	30-1/5 × 26-1/4 × 30-1/5 [768 × 667 × 768]	154 [70]
42	29-1/8 [740]	33-3/16 [843]	29-1/8 [740]	30-1/5 × 34-1/2 × 30-1/5 [768 × 877 × 768]	174 [79]
48	28 [710]	33-3/16 [843]	28 [710]	29 × 34-1/2 × 29 [738 × 877 × 738]	187 [85]
60	29-1/8 [740]	33-3/16 [843]	29-1/8 [740]	30-1/5 × 34-1/2 × 30-1/5 [768 × 877 × 768]	212 [96]
61	29-1/8 [740]	33-3/16 [843]	29-1/8 [740]	30-1/5 × 34-1/2 × 30-1/5 [768 × 877 × 768]	212 [96]

Specifications

	MOVA-18CN10- M152G	MOVA-24CN10- M152G	MOVA-30CN10- M152G	MOVA-36CN10- M152L
NOMINAL CAPACITY Cooling (BTU/h)	17,800	23,800	28,000	33,600
ELECTRICAL DATA				
Voltage / Phase (60 Hz)	208/230V-1Ph	208/230V-1Ph	208/230V-1Ph	208/230V-1Ph
Min. / Max. Voltage (V)	187/253	187/253	187/253	187/253
Min. Circuit Amps (MCA) (A)	11.4	15.3	16.4	21.9
Max. Overcurrent Protection (MOP) (A)	15	20	25	30
COMPRESSOR				
Type	Rotary	Rotary	Rotary	Scroll
Stage	Single	Single	Single	Single
Rated Load Amps (RLA) (A)	8.4	11.2	12.1	16.3
Locked Rotor Amps (LRA) (A)	39	55	58	86
Crankcase Heater	No	No	No	No
CONDENSER COIL				
Type	Tube & Fin	Tube & Fin	Tube & Fin	Tube & Fin
Tube Size (O.D.) (in.)	3/16	3/16	3/16	3/16
FAN MOTOR				
Motor Type	ECM	ECM	ECM	ECM
Capacitor (uF)	/	/	/	/
Horsepower (HP)	1/6	1/6	1/6	1/3
Full Load Amps (FLA) (A)	0.9	1.3	1.2	1.5
REFRIGERATION SYSTEM				
Liquid Valve Size (O.D.) (in.)	3/8	3/8	3/8	3/8
Suction Valve Size (O.D.) (in.)	3/4	3/4	3/4	3/4
Liquid Line Size ("O.D.) (in.)	3/8	3/8	3/8	3/8
Suction Line Size ("O.D.) (in.)	3/4	3/4	3/4	3/4
Refrigerant Charge (lbs. - oz.)	4 lbs. 6 OZ.	4 lbs. 14 OZ.	6 lbs. 6 OZ.	5 lbs. 1 OZ.
SOUND POWER (dB(A))	73	75	75	77
OPERATION RANGE				
Cooling (°C)	12.7~48.9	12.7~48.9	12.7~48.9	12.7~48.9
Cooling (°F)	55~120	55~120	55~120	55~120

	MOVA-42CN10- M152L	MOVA-48CN10- M152L	MOVA-60CN10- M152L	MOVA-61CN10- M152L
NOMINAL CAPACITY Cooling (BTU/h)	41,000	45,000	54,000	55,000
ELECTRICAL DATA Voltage / Phase (60 Hz) Min. / Max. Voltage (V) Min. Circuit Amps (MCA) (A) Max. Overcurrent Protection (MOP) (A)	208/230V-1Ph 187/253 24.5 40	208/230V-1Ph 187/253 28.3 45	208/230V-1Ph 187/253 36.8 60	208/230V-1Ph 187/253 39.6 60
COMPRESSOR Type Stage Rated Load Amps (RLA) (A) Locked Rotor Amps (LRA) (A) Crankcase Heater	Scroll Single 18.2 96 No	Scroll Single 21.0 95 No	Scroll Single 27.8 125 No	Scroll Two-stage 30.2 123 No
CONDENSER COIL Type Tube Size (O.D) (in.)	Tube & Fin 3/16	Tube & Fin 3/16	Tube & Fin 3/16	Tube & Fin 9/32
FAN MOTOR Motor Type Capacitor (uF) Horsepower (HP) Full Load Amps (FLA) (A)	ECM / 1/3 1.7	ECM / 1/3 2.0	ECM / 1/3 2.0	ECM / 1/3 1.8
REFRIGERATION SYSTEM Liquid Valve Size (O.D.) (in.) Suction Valve Size (O.D.) (in.) Liquid Line Size ("O.D.) (in.) Suction Line Size ("O.D.) (in.) Refrigerant Charge (lbs. - oz.)	3/8 7/8 3/8 7/8 5 lbs. 12 OZ.	3/8 7/8 3/8 7/8 6 lbs. 4 OZ.	3/8 7/8 3/8 1-1/8 6 lbs. 0 OZ.	3/8 7/8 3/8 1-1/8 9 lbs. 14 OZ.
SOUND POWER (dB(A))	78	78	80	80
OPERATION RANGE Cooling (°C) Cooling (°F)	12.7~48.9 55~120	12.7~48.9 55~120	12.7~48.9 55~120	12.7~48.9 55~120

Standard Features:

- Eco-friendly R454B refrigerant with low GWP value.
- Energy-efficient compressor.
- Equipped with thermal overload protection.
- High quality condenser with inner-groove copper tube and aluminum fin.
- Service valves with sweat connections and easy-access gauge ports.
- Factory-installed high-pressure switch.
- AHRI certified and ETL listed.
- Filter drier included as accessory.

Cabinet Features:

- Compact design allows for ease of installation, clearance, durability, and maneuverability.
- Powder-painted galvanized steel cabinet chassis.
- Protective steel louvered coil guard.
- Steel wire axial fan guard
- ECM fan motor and unique blade style allowing for smooth discharge air and quieter operation.

Midea Building Technologies Division

Add.: Midea Headquarters Building, 6 Midea Avenue, Shunde, Foshan, Guangdong, China

Postal code: 528311

mbt.midea.com/global www.midea-group.com ics.midea.com

Note: Product specifications change from time to time as product improvements and developments are released and may vary from those in this document.

