



R454B

# Midea Multi-Position Cased Coils

MCPM Series Indoor A-Coil

Cooling capacity: 30-60 kBtu/h



### Contents:


- 1 PRODUCT LINEUP.....2
- 2 NOMENCLATURE.....2
- 3 SPECIFICATIONS.....3
- 4 DIEMSIONAL DRAWING.....5
- 5 AIRFLOW PERFORMANCE.....6



### Standard Features:

- Equipped with a refrigerant sensor, suitable for R454b system .
- UL 60335 2-40 and AHRI certificated.
- High efficiency and energy saving, AHRI energy efficiency certificated .
- Multi-position installation accommodated a variety of installation scenarios .
- Broad cooling range from 55 °F to 120 °F.
- Optional factory installed Thermostatic Expansion Valve .
- All aluminum coil for corrosion-resistance.
- 100% insulation, reduces operating sound and enhance thermal insulation.
- Perfect match with Midea MGV gas furnace, no need extra kit for R454b system.

## 1 Product lineup

|                   |   |
|-------------------|---|
| <b>Model</b>      | <p>MCPM3036AN10OH, MCPM3036BN10OH<br/>                 MCPM3036CN10OH, MCPM3642BN10OH<br/>                 MCPM3642CN10OH, MCPM3642DN10OH<br/>                 MCPM4248BN10OH, MCPM4248CN10OH<br/>                 MCPM4248DN10OH, MCPM4860CN10OH<br/>                 MCPM4860DN10OH</p> |
| <b>Appearance</b> |   |

## 2 Nomenclature

|   |   |    |      |   |     |   |   |
|---|---|----|------|---|-----|---|---|
| M | C | PM | 3036 | A | N10 | O | H |
| 1 | 2 | 3  | 4    | 5 | 6   | 7 | 8 |

| Legend |      |   |
|--------|------|---|
| No.    | Code | Remarks   |
| 1      | M    | Brand: Midea  |
| 2      | C    | A Coil  |
| 3      | PM   | PM—Multiple Position Installation (Cased)   |
| 4      | 3036 | 3036—30/36 kBtu/h; 3642 - 36/42 kBtu/h; 4248 - 42/48 kBtu/h; 4860 - 48/60 kBtu/h;<br>Note: The coil is designed for 30K and 36K condenser unit. |
| 5      | A    | A/B/C/D - Case specification  |
| 6      | N10  | Refrigerant type: N10: R454B  |
| 7      | O    | O: Piston; T: TXV   |
| 8      | H    | Design serial number  |

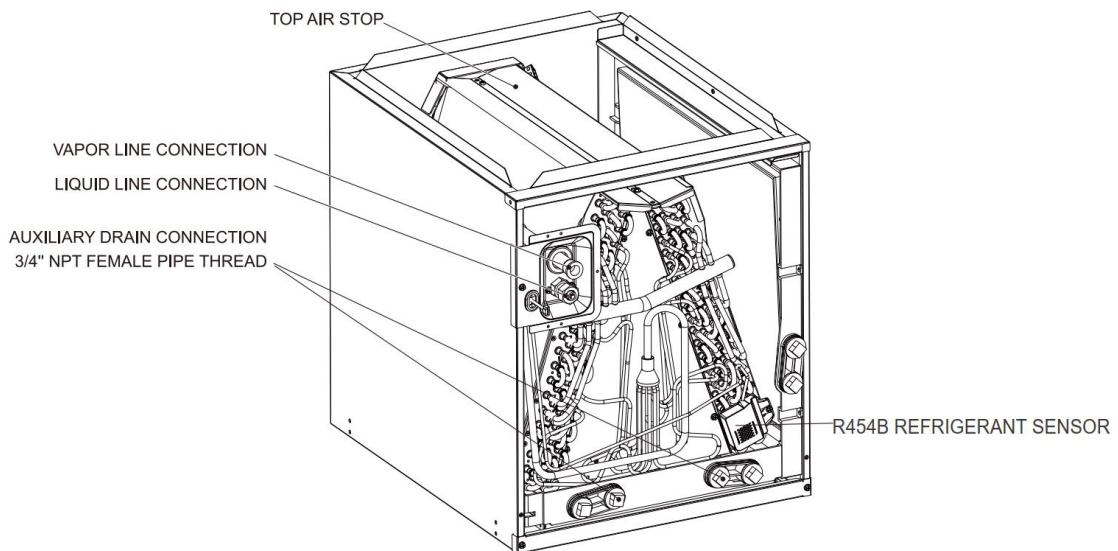
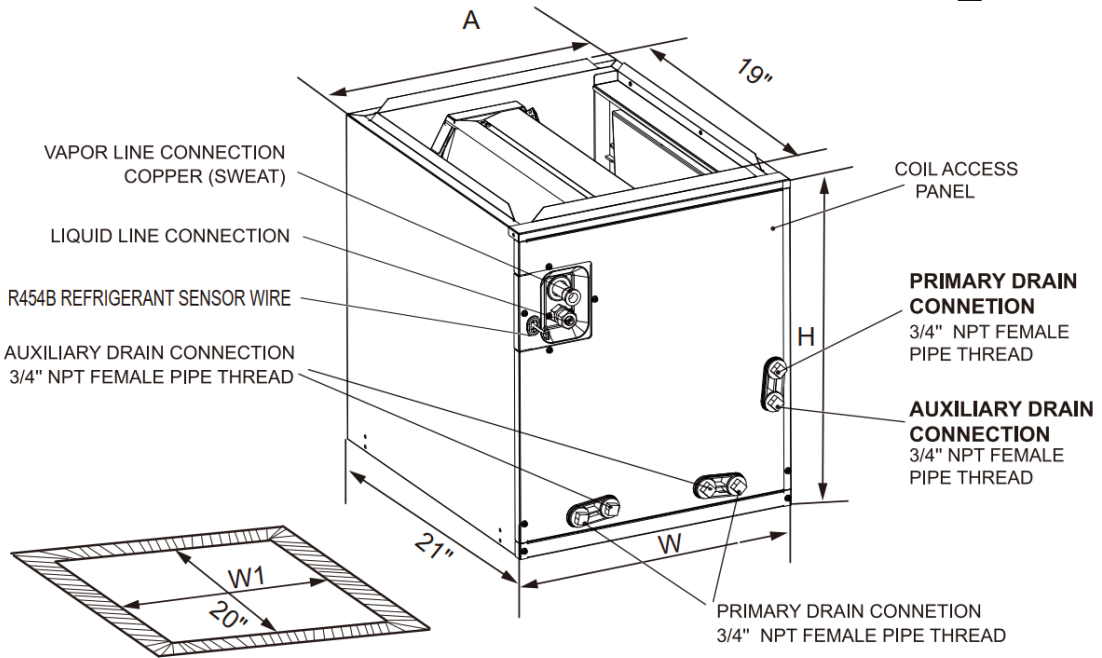
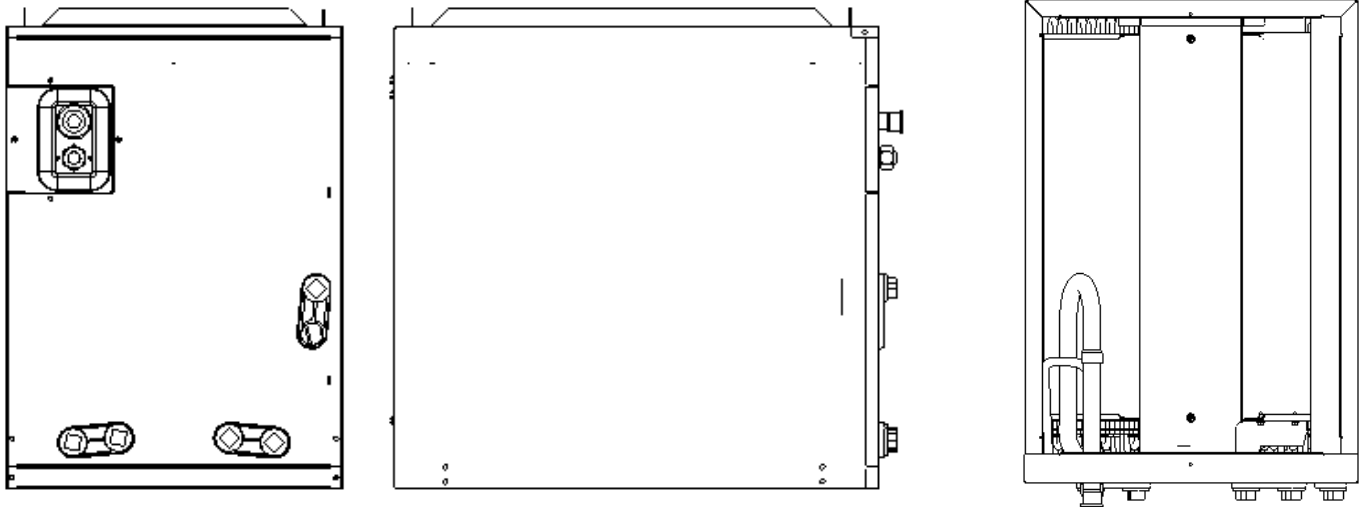
### 3 Specifications

|                                     | MCPM3036AN10OH              | MCPM3036BN10OH             | MCPM3036CN10OH              | MCPM3642BN10OH             |
|-------------------------------------|-----------------------------|----------------------------|-----------------------------|----------------------------|
| <b>INSTALLATION</b>                 | Multiple position           | Multiple position          | Multiple position           | Multiple position          |
| <b>AIR OUTLET (W × H) (in.)</b>     | 13 × 19                     | 16 × 19                    | 19-1/2 × 19                 | 16 × 19                    |
| <b>NOMINAL RATING</b>               |                             |                            |                             |                            |
| Max. Cooling (BTU/h)                | 30,000/36,000               | 30,000/36,000              | 30,000/36,000               | 36,000/42,000              |
| <b>EVAPORATOR COIL</b>              |                             |                            |                             |                            |
| Type                                | Tube & Fin                  | Tube & Fin                 | Tube & Fin                  | Tube & Fin                 |
| Tube Material                       | Aluminum                    | Aluminum                   | Aluminum                    | Aluminum                   |
| Tube Size (in.)                     | 9/32                        | 9/32                       | 9/32                        | 9/32                       |
| <b>REFRIGERANT CONNECTION SIZE</b>  |                             |                            |                             |                            |
| Liquid Line Size (O.D.) (in.)       | 3/8                         | 3/8                        | 3/8                         | 3/8                        |
| Suction Line Size (O.D.) (in.)      | 3/4                         | 3/4                        | 3/4                         | 3/4                        |
| <b>DIMENSIONS</b>                   |                             |                            |                             |                            |
| Net dimensions (W × H × D) (in.)    | 21 × 14-1/2 × 20            | 21 × 17-1/2 × 20           | 21 × 21 × 20                | 21 × 17-1/2 × 26           |
| Packed dimensions (W × H × D) (in.) | 24-15/16 × 24-3/16 × 22-1/4 | 24-15/16 × 20-5/8 × 22-1/4 | 24-15/16 × 24-3/16 × 22-1/4 | 24-15/16 × 20-5/8 × 28-1/8 |
| <b>WEIGHT</b>                       |                             |                            |                             |                            |
| Net weight (lbs.)                   | 44                          | 46                         | 49                          | 57                         |
| Shipping weight (lbs.)              | 48.5                        | 51                         | 55                          | 64                         |

|                                     | MCPM3642CN10OH              | MCPM3642DN10OH              | MCPM4248BN10OH              | MCPM4248CN10OH               |
|-------------------------------------|-----------------------------|-----------------------------|-----------------------------|------------------------------|
| <b>INSTALLATION</b>                 | Multiple position           | Multiple position           | Multiple position           | Multiple position            |
| <b>AIR OUTLET (W × H) (in.)</b>     | 19-1/2 × 19                 | 23 × 19                     | 16 × 19                     | 19-1/2 × 19                  |
| <b>NOMINAL RATING</b>               |                             |                             |                             |                              |
| Max. Cooling (BTU/h)                | 36,000/42,000               | 36,000/42,000               | 42,000/48,000               | 42,000/48,000                |
| <b>EVAPORATOR COIL</b>              |                             |                             |                             |                              |
| Type                                | Tube & Fin                  | Tube & Fin                  | Tube & Fin                  | Tube & Fin                   |
| Tube Material                       | Aluminum                    | Aluminum                    | Aluminum                    | Aluminum                     |
| Tube Size (in.)                     | 9/32                        | 9/32                        | 3/8                         | 3/8                          |
| <b>REFRIGERANT CONNECTION SIZE</b>  |                             |                             |                             |                              |
| Liquid Line Size (O.D.) (in.)       | 3/8                         | 3/8                         | 3/8                         | 3/8                          |
| Suction Line Size (O.D.) (in.)      | 3/4                         | 3/4                         | 3/4                         | 3/4                          |
| <b>DIMENSIONS</b>                   |                             |                             |                             |                              |
| Net dimensions (W × H × D) (in.)    | 21 × 21 × 26                | 21 × 24-1/2 × 26            | 21 × 17-1/2 × 30            | 21 × 21 × 30                 |
| Packed dimensions (W × H × D) (in.) | 24-15/16 × 24-3/16 × 28-1/8 | 24-15/16 × 27-9/16 × 28-1/8 | 24-15/16 × 20-5/8 × 32-5/16 | 24-15/16 × 24-3/16 × 32-5/16 |
| <b>WEIGHT</b>                       |                             |                             |                             |                              |
| Net weight (lbs.)                   | 59                          | 64                          | 73                          | 73                           |
| Shipping weight (lbs.)              | 66                          | 70                          | 79                          | 79                           |

|  | MCPM4248DN100H                  | MCPM4860CN100H                  | MCPM4860DN100H                  |
|--|---------------------------------|---------------------------------|---------------------------------|
| <b>INSTALLATION</b>                    | Multiple position               | Multiple position               | Multiple position               |
| <b>AIR OUTLET (W × H) (in.)</b>        | 23 × 19                         | 19-1/2 × 19                     | 23 × 19                         |
| <b>NOMINAL RATING</b>                  |                                 |                                 |                                 |
| Max. Cooling (BTU/h)                   | 42,000/48,000                   | 48,000/60,000                   | 48,000/60,000                   |
| <b>EVAPORATOR COIL</b>                 |                                 |                                 |                                 |
| Type                                   | Tube & Fin                      | Tube & Fin                      | Tube & Fin                      |
| Tube Material                          | Aluminum                        | Aluminum                        | Aluminum                        |
| Tube Size (in.)                        | 3/8                             | 3/8                             | 3/8                             |
| <b>REFRIGERANT CONNECTION SIZE</b>     |                                 |                                 |                                 |
| Liquid Line Size (O.D.) (in.)          | 3/8                             | 3/8                             | 3/8                             |
| Suction Line Size (O.D.) (in.)         | 3/4                             | 3/4                             | 3/4                             |
| <b>DIMENSIONS</b>                      |                                 |                                 |                                 |
| Net dimensions (W × H × D)<br>(in.)    | 21 × 24-1/2 × 30                | 21 × 21 × 30                    | 21 × 24-1/2 × 30                |
| Packed dimensions (W × H × D)<br>(in.) | 24-15/16 × 27-9/16<br>× 32-5/16 | 24-15/16 × 24-3/16<br>× 32-5/16 | 24-15/16 × 27-9/16<br>× 32-5/16 |
| <b>WEIGHT</b>                          |                                 |                                 |                                 |
| Net weight (lbs.)                      | 75                              | 82                              | 86                              |
| Shipping weight (lbs.)                 | 82                              | 88                              | 93                              |

**4 Dimensional Drawing**



| MODELS         | Unit Dimensions IN. [mm] |                   |                    |              |                            | WEIGHT<br>(LBS. [kg]) |
|----------------|--------------------------|-------------------|--------------------|--------------|----------------------------|-----------------------|
|                | UNIT HEIGHT<br>"H"       | UNIT WIDTH<br>"W" | SUPPLY DUCT<br>"A" | "W1"         | LIQUID LINE/<br>VAPOR LINE |                       |
| MCPM3036AN100H | 20 [508]                 | 14-1/2 [368]      | 13 [330]           | 13-1/2 [343] | 3/8 / 3/4                  | 44 [20]               |
| MCPM3642CN100H | 20 [508]                 | 17-1/2 [445]      | 16 [407]           | 16-1/2 [419] | 3/8 / 3/4                  | 46 [21]               |
| MCPM3036CN100H | 20 [508]                 | 21 [533]          | 19-1/2 [495]       | 20 [508]     | 3/8 / 3/4                  | 49 [22]               |
| MCPM3642BN100H | 26 [660]                 | 17-1/2 [445]      | 16 [407]           | 16-1/2 [419] | 3/8 / 3/4                  | 57 [26]               |
| MCPM3642CN100H | 26 [660]                 | 21 [533]          | 19-1/2 [495]       | 20 [508]     | 3/8 / 3/4                  | 59 [27]               |
| MCPM3642DN100H | 26 [660]                 | 24-1/2 [622]      | 23 [584]           | 23-1/2 [597] | 3/8 / 3/4                  | 64 [29]               |
| MCPM4248BN100H | 30 [762]                 | 17-1/2 [445]      | 16 [407]           | 16-1/2 [419] | 3/8 / 3/4                  | 73 [33]               |
| MCPM4248CN100H | 30 [762]                 | 21 [533]          | 19-1/2 [495]       | 20 [508]     | 3/8 / 3/4                  | 73 [33]               |
| MCPM4248DN100H | 30 [762]                 | 24-1/2 [622]      | 23 [584]           | 23-1/2 [597] | 3/8 / 3/4                  | 75 [34]               |
| MCPM4860CN100H | 30 [762]                 | 21 [533]          | 19-1/2 [495]       | 20 [508]     | 3/8 / 3/4                  | 82 [37]               |
| MCPM4860DN100H | 30 [762]                 | 24-1/2 [622]      | 23 [584]           | 23-1/2 [597] | 3/8 / 3/4                  | 86 [39]               |

## 5 Airflow Performance

| Pressure drop characteristics for cooling (SCFM) |                                       |     |      |      |      |      |      |      |
|--|---------------------------------------|-----|------|------|------|------|------|------|
| Model  | Pressure drop (Inches of water gauge) |     |      |      |      |      |      |      |
|  | 0.05                                  | 0.1 | 0.15 | 0.2  | 0.25 | 0.3  | 0.35 | 0.4  |
| MCPM3036AN100H                                   | 307                                   | 485 | 618  | 729  | 823  | 911  | 991  | 1063 |
| MCPM3642CN100H                                   | 327                                   | 527 | 682  | 810  | 925  | 1024 | 1122 | 1217 |
| MCPM3036CN100H                                   | 360                                   | 585 | 748  | 893  | 1019 | 1132 | 1238 | 1348 |
| MCPM3642BN100H                                   | 401                                   | 600 | 773  | 916  | 1045 | 1160 | 1256 | 1357 |
| MCPM3642CN100H                                   | 457                                   | 663 | 856  | 1019 | 1156 | 1277 | 1394 | 1502 |
| MCPM3642DN100H                                   | 496                                   | 718 | 924  | 1102 | 1259 | 1398 | 1530 | 1651 |
| MCPM4248BN100H                                   | 456                                   | 638 | 810  | 953  | 1077 | 1191 | 1284 | 1390 |
| MCPM4248CN100H                                   | 505                                   | 726 | 932  | 1098 | 1244 | 1375 | 1494 | 1604 |
| MCPM4248DN100H                                   | 533                                   | 857 | 1105 | 1319 | 1509 | 1675 | 1824 | 1956 |
| MCPM4860CN100H                                   | 439                                   | 699 | 906  | 1071 | 1224 | 1362 | 1487 | 1589 |
| MCPM4860DN100H                                   | 466                                   | 764 | 978  | 1157 | 1313 | 1466 | 1590 | 1695 |

Data based on wet coil with entering air at 80 deg F DB / 67 deg F WB without air filter.

The maximum allowable pressure drop is 0.4 in. WC.

The maximum CFM is the data at 0.4 in. WC. pressure

Ver. 2024-05V2

## Midea Building Technologies Division Midea Group

**Add.:** Midea Headquarters Building, 6 Midea Avenue, Shunde, Foshan, Guangdong, China

**Postal code:** 528311

[mbt.midea.com/global](http://mbt.midea.com/global)   [www.midea-group.com](http://www.midea-group.com)   [ics.midea.com](http://ics.midea.com)

Midea reserves the right to change the specifications of the product, and to withdraw or replace products without prior notification or public announcement. Midea is constantly developing and improving its products.

