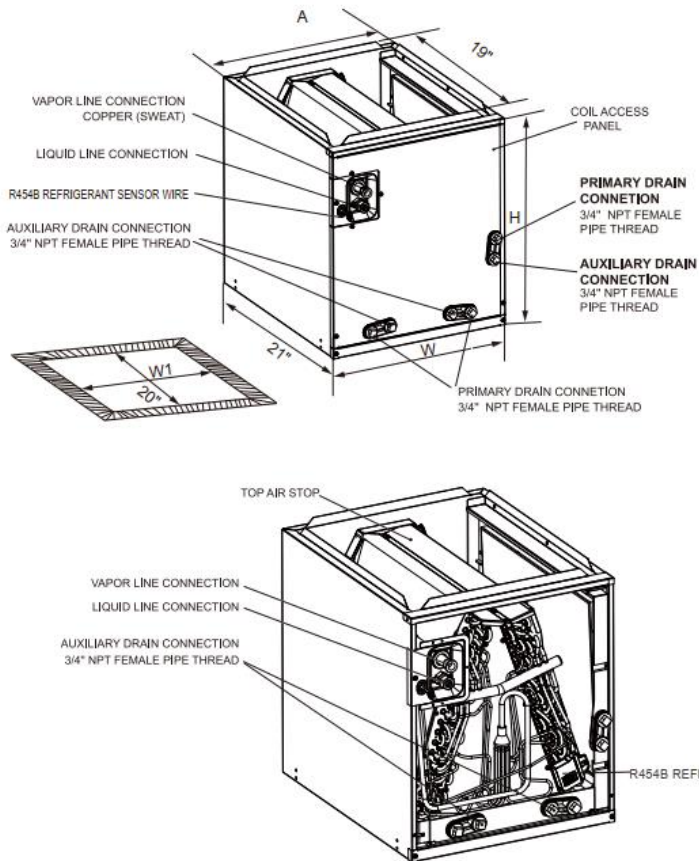


Multi-Position Cased Coils

Cooling and Heat Pump Compatible

Cooling capacity: 30–60 kBTU/h



MODELS	Unit Dimensions IN. [mm]					WEIGHT (LBS. [kg])
	UNIT HEIGHT "H"	UNIT WIDTH "W"	SUPPLY DUCT "A"	"W1"	LIQUID LINE/ VAPOR LINE	
MCPM3036AN100H	20 [508]	14-1/2 [368]	13 [330]	13-1/2 [343]	3/8 / 3/4	44 [20]
MCPM3642CN100H	20 [508]	17-1/2 [445]	16 [407]	16-1/2 [419]	3/8 / 3/4	46 [21]
MCPM3036CN100H	20 [508]	21 [533]	19-1/2 [495]	20 [508]	3/8 / 3/4	49 [22]
MCPM3642BN100H	26 [660]	17-1/2 [445]	16 [407]	16-1/2 [419]	3/8 / 3/4	57 [26]
MCPM3642CN100H	26 [660]	21 [533]	19-1/2 [495]	20 [508]	3/8 / 3/4	59 [27]
MCPM3642DN100H	26 [660]	24-1/2 [622]	23 [584]	23-1/2 [597]	3/8 / 3/4	64 [29]
MCPM4248BN100H	30 [762]	17-1/2 [445]	16 [407]	16-1/2 [419]	3/8 / 3/4	73 [33]
MCPM4248CN100H	30 [762]	21 [533]	19-1/2 [495]	20 [508]	3/8 / 3/4	73 [33]
MCPM4248DN100H	30 [762]	24-1/2 [622]	23 [584]	23-1/2 [597]	3/8 / 3/4	75 [34]
MCPM4860CN100H	30 [762]	21 [533]	19-1/2 [495]	20 [508]	3/8 / 3/4	82 [37]
MCPM4860DN100H	30 [762]	24-1/2 [622]	23 [584]	23-1/2 [597]	3/8 / 3/4	86 [39]

Specifications

	MCPM3036AN10OH	MCPM3036BN10OH	MCPM3036CN10OH	MCPM3642BN10OH
INSTALLATION	Multiple position	Multiple position	Multiple position	Multiple position
AIR OUTLET (W × H) (in.)	13 × 19	16 × 19	19-1/2 × 19	16 × 19
NOMINAL RATING				
Max. Cooling (BTU/h)	30,000/36,000	30,000/36,000	30,000/36,000	36,000/42,000
EVAPORATOR COIL				
Type	Tube & Fin	Tube & Fin	Tube & Fin	Tube & Fin
Tube Material	Aluminum	Aluminum	Aluminum	Aluminum
Tube Size (in.)	9/32	9/32	9/32	9/32
REFRIGERANT CONNECTION SIZE				
Liquid Line Size (O.D.) (in.)	3/8	3/8	3/8	3/8
Suction Line Size (O.D.) (in.)	3/4	3/4	3/4	3/4
DIMENSIONS				
Net dimensions (W × H × D) (in.)	21 × 14-1/2 × 20	21 × 17-1/2 × 20	21 × 21 × 20	21 × 17-1/2 × 26
Packed dimensions (W × H × D) (in.)	24-15/16 × 24-3/16 × 22-1/4	24-15/16 × 20-5/8 × 22-1/4	24-15/16 × 24-3/16 × 22-1/4	24-15/16 × 20-5/8 × 28-1/8
WEIGHT				
Net weight (lbs.)	44	46	49	57
Shipping weight (lbs.)	48.5	51	55	64

	MCPM3642CN10OH	MCPM3642DN10OH	MCPM4248BN10OH	MCPM4248CN10OH
INSTALLATION	Multiple position	Multiple position	Multiple position	Multiple position
AIR OUTLET (W × H) (in.)	19-1/2 × 19	23 × 19	16 × 19	19-1/2 × 19
NOMINAL RATING				
Max. Cooling (BTU/h)	36,000/42,000	36,000/42,000	42,000/48,000	42,000/48,000
EVAPORATOR COIL				
Type	Tube & Fin	Tube & Fin	Tube & Fin	Tube & Fin
Tube Material	Aluminum	Aluminum	Aluminum	Aluminum
Tube Size (in.)	9/32	9/32	3/8	3/8
REFRIGERANT CONNECTION SIZE				
Liquid Line Size (O.D.) (in.)	3/8	3/8	3/8	3/8
Suction Line Size (O.D.) (in.)	3/4	3/4	3/4	3/4
DIMENSIONS				
Net dimensions (W × H × D) (in.)	21 × 21 × 26	21 × 24-1/2 × 26	21 × 17-1/2 × 30	21 × 21 × 30
Packed dimensions (W × H × D) (in.)	24-15/16 × 24-3/16 × 28-1/8	24-15/16 × 27-9/16 × 28-1/8	24-15/16 × 20-5/8 × 32-5/16	24-15/16 × 24-3/16 × 32-5/16
WEIGHT				
Net weight (lbs.)	59	64	73	73
Shipping weight (lbs.)	66	70	79	79

	MCPM4248DN100H	MCPM4860CN100H	MCPM4860DN100H
INSTALLATION	Multiple position	Multiple position	Multiple position
AIR OUTLET (W × H) (in.)	23 × 19	19-1/2 × 19	23 × 19
NOMINAL RATING			
Max. Cooling (BTU/h)	42,000/48,000	48,000/60,000	48,000/60,000
EVAPORATOR COIL			
Type	Tube & Fin	Tube & Fin	Tube & Fin
Tube Material	Aluminum	Aluminum	Aluminum
Tube Size (in.)	3/8	3/8	3/8
REFRIGERANT CONNECTION SIZE			
Liquid Line Size (O.D.) (in.)	3/8	3/8	3/8
Suction Line Size (O.D.) (in.)	3/4	3/4	3/4
DIMENSIONS			
Net dimensions (W × H × D) (in.)	21 × 24-1/2 × 30	21 × 21 × 30	21 × 24-1/2 × 30
Packed dimensions (W × H × D) (in.)	24-15/16 × 27-9/16 × 32-5/16	24-15/16 × 24-3/16 × 32-5/16	24-15/16 × 27-9/16 × 32-5/16
WEIGHT			
Net weight (lbs.)	75	82	86
Shipping weight (lbs.)	82	88	93

Features

- Equipped with a refrigerant sensor, suitable for R454b system .
- UL 60335 2-40 and AHRI certified.
- High efficiency and energy saving, AHRI energy efficiency certificated .
- Multi-position installation accommodated a variety of installation scenarios .
- Broad cooling range from 55 °F to 120 °F.
- Optional factory installed Thermostatic Expansion Valve .
- All aluminum coil for corrosion-resistance.
- 100% insulation, reduces operating sound and enhance thermal insulation.
- Perfect match with Midea MGV gas furnace, no need extra kit for R454b system.

Midea Building Technologies Division

Add.: Midea Headquarters Building, 6 Midea Avenue, Shunde, Foshan, Guangdong, China

Postal code: 528311

mbt.midea.com/global www.midea-group.com ics.midea.com

Note: Product specifications change from time to time as product improvements and developments are released and may vary from those in this document.

